

Audi A6 / S6

Component Locations

No. 866 / 1

Edition 04.2012

Comfort System

- ◆ Power and Heated Seats → [Chapter](#)
- ◆ Halogen and HID Headlamps → [Chapter](#)
- ◆ Rain/Light Recognition Sensor → [Chapter](#)

Audi A6 / S6

Component Locations

No. 866 / 2

Power and Heated Seats**1 - Angle Adjustment Motor**

- Driver side: Driver Seat Angle Adjustment Motor -V243-
- Passenger side: Front Passenger Seat Angle Adjustment Motor - V244-

2 - Seat Forward/Back Adjustment Motor - V288-**3 - Backrest Adjustment Motor**

- Driver side: Driver Backrest Adjustment Motor -V45-
- Passenger side: Front Passenger Backrest Adjustment Motor -V46-

4 - Lumbar Support Height Adjustment Motor

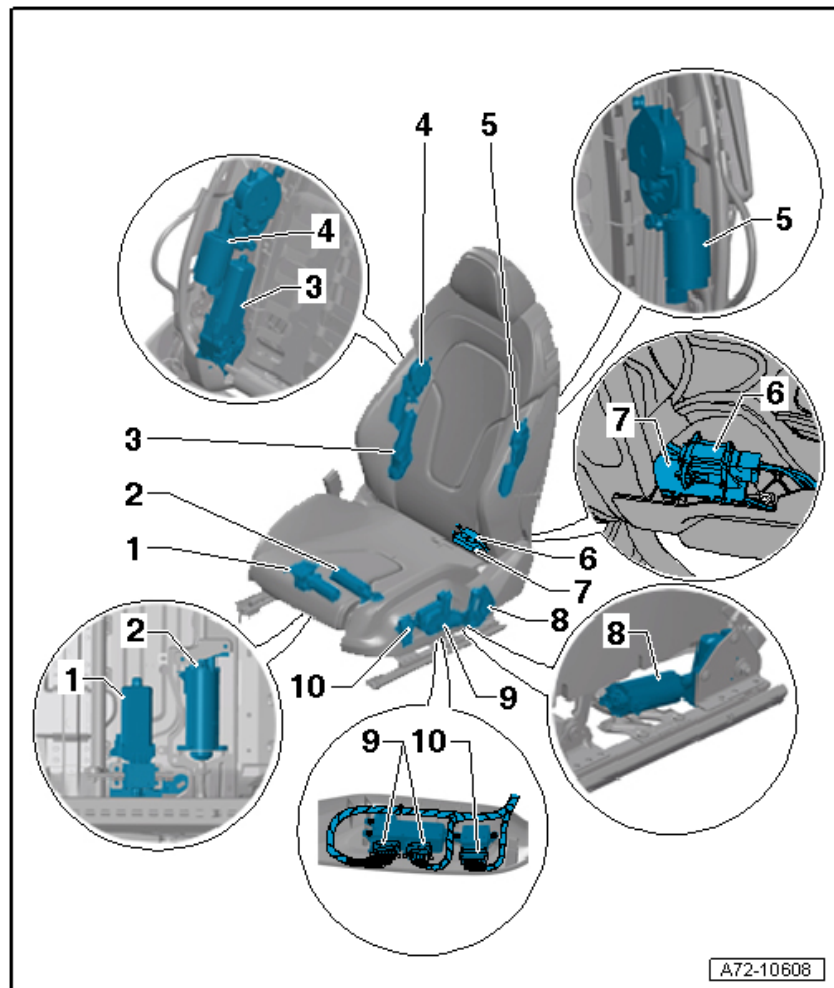
- Driver side: Driver Seat Lumbar Support Height Adjustment Motor - V129-
- Passenger side: Front passenger Seat Lumbar Support Height Adjustment Motor - V130-

5 - Lumbar Support Curvature Adjustment Motor

- Driver side: Driver Seat Lumbar Support Curvature Adjustment Motor -V125-
- Passenger side: Front Passenger Seat Lumbar Support Curvature Adjustment Motor -V126-

6 - Stop Switch Coupling**7 - Housing with Stop Switch**

- For driver's Driver Backrest Stop Switch -E69-
- For passenger's Front Passenger Backrest Stop Switch -E70-



Audi A6 / S6

Component Locations

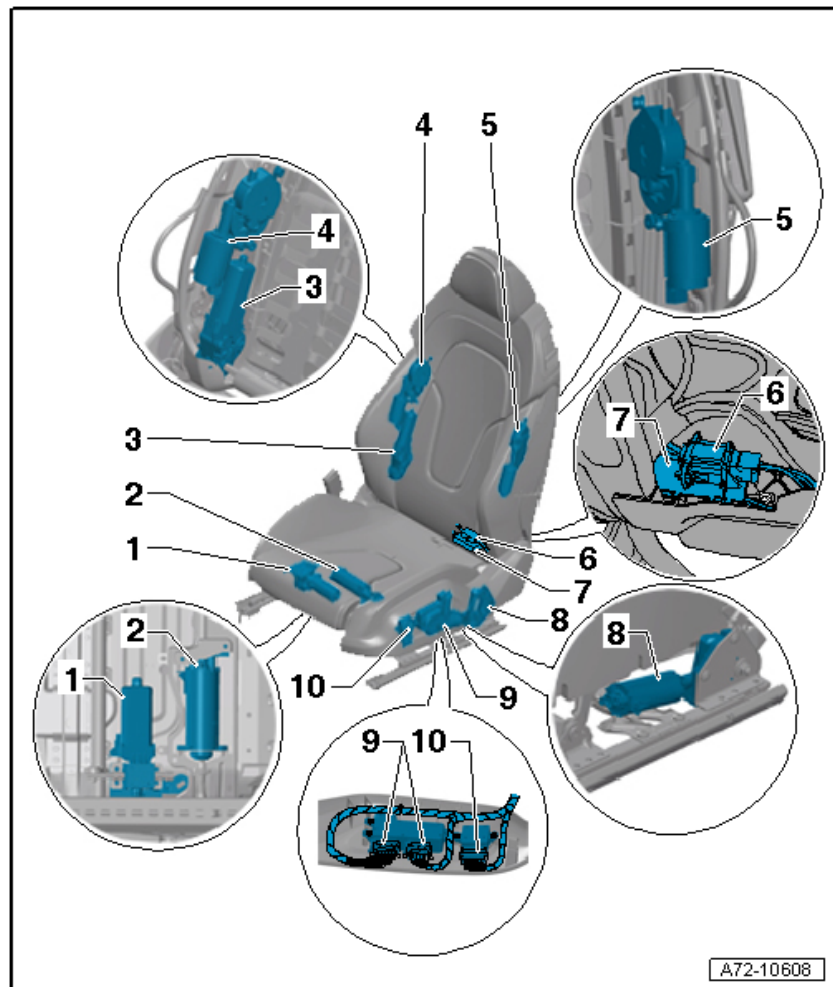
No. 866 / 3

Power and Heated Seats Continued**8 - Height Adjustment Motor**

- Driver side: Driver Seat Height Adjustment Motor -V245-
- Passenger side: Front Passenger Seat Height Adjustment Motor - V246-

9 - Switch

- Driver Seat Forward/Back Adjustment Switch - E363- or Front Passenger Seat Forward/Back Adjustment Switch - E64-
- Driver Backrest Adjustment Switch - E96- or Passenger Backrest Adjustment Switch -E98-
- Driver Seat Angle Adjustment Switch - E222- or Front Passenger Seat Tilt Adjustment Button - E334-
- Driver Seat Height Adjustment Switch - E364- or Front Passenger Seat Height Adjustment Switch - E365-

**10 - Lumbar Support Adjustment Switch**

- Driver side: Driver Seat Lumbar Support Adjustment Switch -E176-
- Passenger side: Front Passenger Seat Lumbar Support Adjustment Switch -E177-

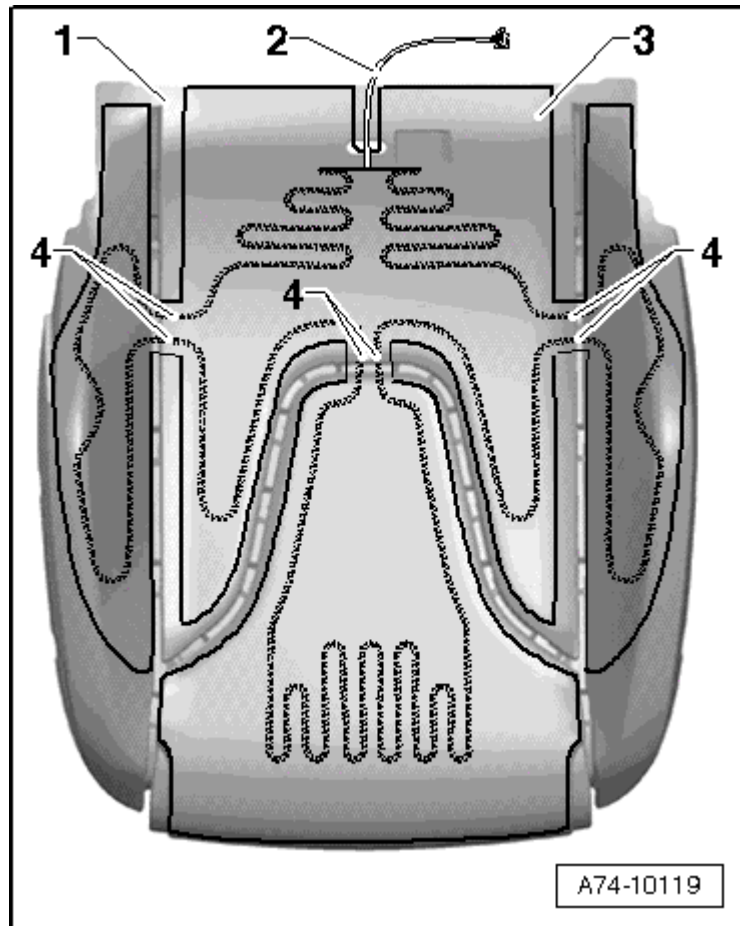
Audi A6 / S6

Component Locations

No. 866 / 4

Seat Bottom Heater

3 - Left Front Heated Seat -Z45- or
Right Front Heated Seat -Z46- ,
Driver Seat Heating Element -Z6-
with Heated Driver Seat
Temperature Sensor -G59- or
Front Passenger Seat Heating
Element -Z8- with Front Passenger
Heated Seat Temperature Sensor -
G60-



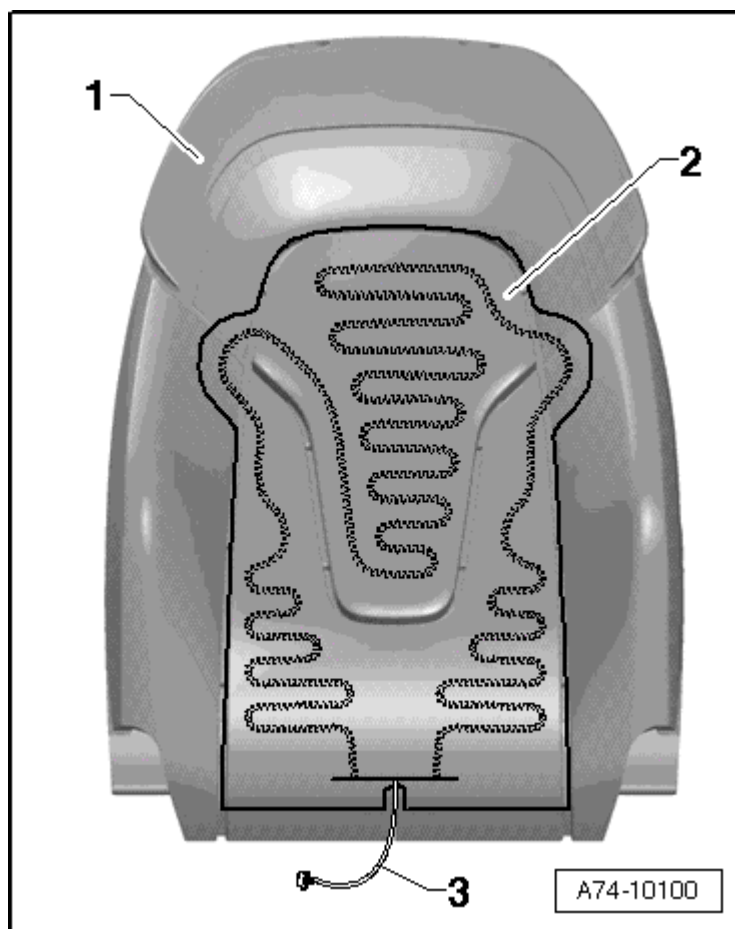
Audi A6 / S6

Component Locations

No. 866 / 5

Seat Back Heater

- 2 - Driver Backrest Heating Element - Z7- or Front Passenger Backrest Heating Element -Z9-



Audi A6 / S6

Component Locations

No. 866 / 6

Rear Seats

1 - Seat Heating Element

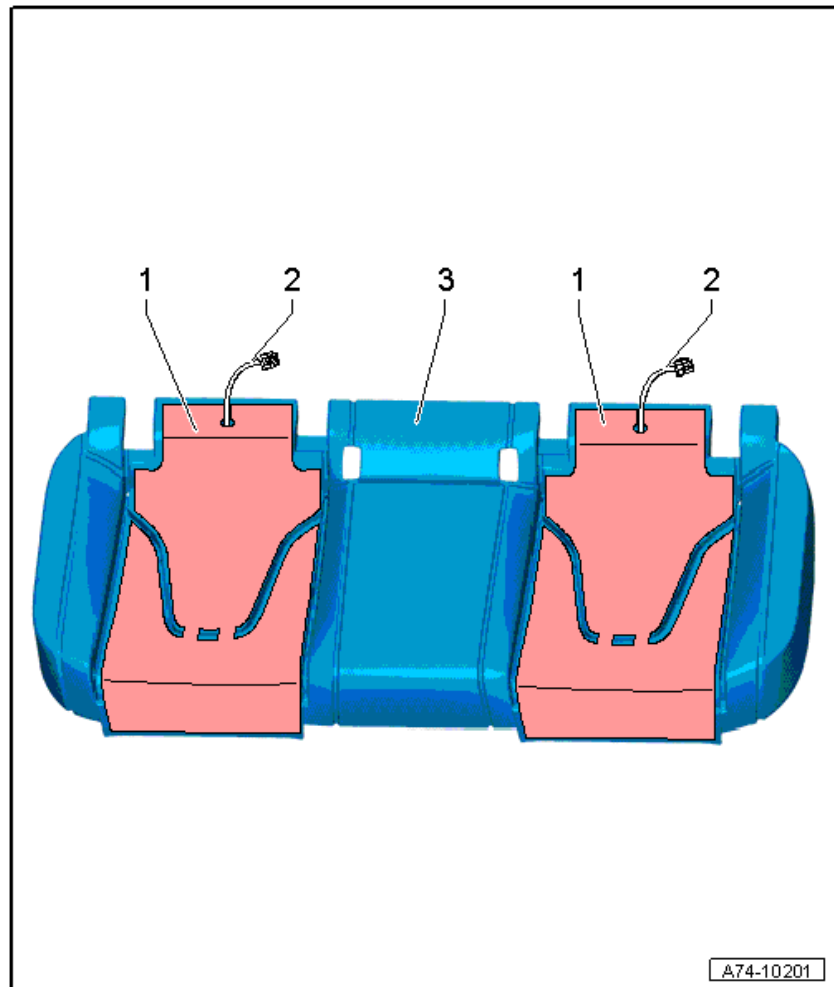
- Right Rear Seat Heating Element -Z12- Contains :
 - ◆ Right Rear Heated Seat Temperature Sensor -G95-
 - ◆ Rear Seat Occupied Sensor (on front Passenger side) -G178 -
- Left Rear Seat Heating Element -Z10- Contains :
 - ◆ Left Rear Heated Seat Temperature Sensor - G94-
 - ◆ Rear Seat Occupied Sensor (on Driver side) -G177-

2 - Electrical Wiring

3 - Cushion

**Note**

The illustration shows the location of the seat heating elements on a bench seat without a center storage compartment. The location of the seat heating elements is similar on a bench seat with a center storage compartment.



A74-10201

Audi A6 / S6

Component Locations

No. 866 / 7

Halogen and HID Headlamps**Automatic Headlamp Vertical Aim Control Assembly Overview****1 - Control Module J431 / J745**

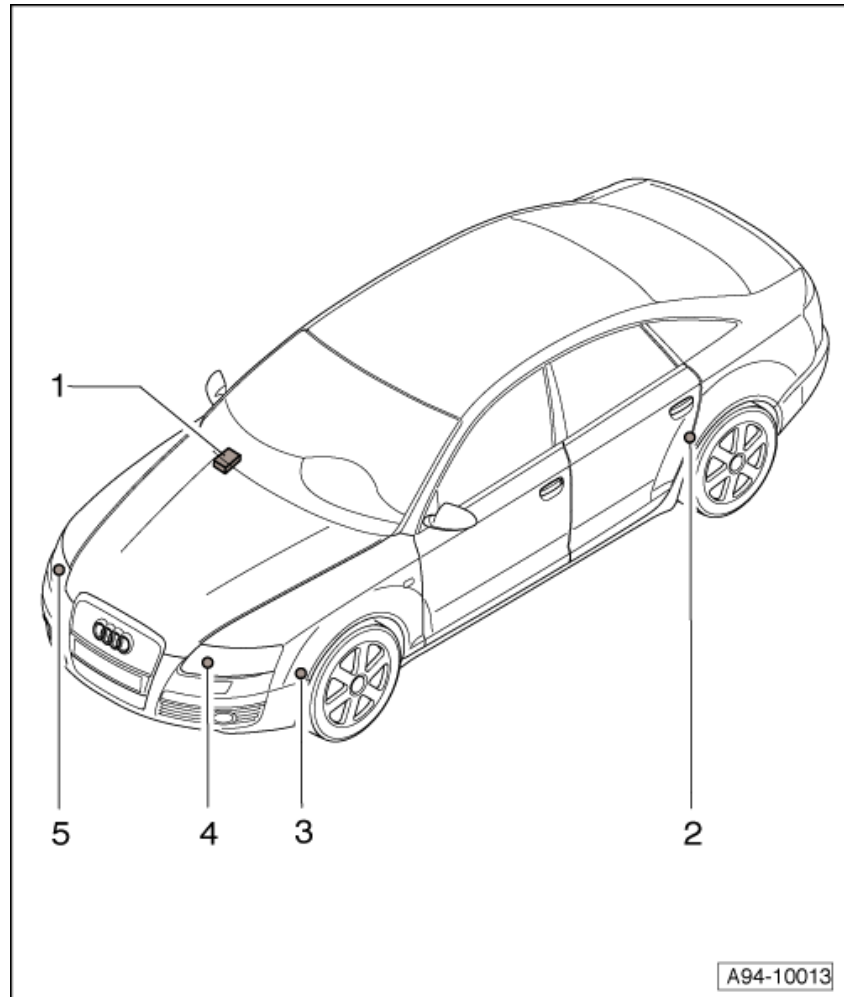
- Component location:
Behind glove compartment at carrier for instrument panel
- Vehicles without cornering lamp:
- ◆ Headlamp Range Control Module -J431-
- Vehicles with cornering lamp (AFS)
- ◆ Headlamp Range/Cornering Lamp Control Module -J745-

2 - Left Rear Level Control System Sensor -G76-

- Located at left rear axle control arm

3 - Left Front Level Control System Sensor -G78-

- At front left track control link

4 - Left Headlamp Beam Adjustment Motor -V48-**5 - Right Headlamp Beam Adjustment Motor -V49-**

A94-10013

Audi A6 / S6

Component Locations

No. 866 / 8

Halogen Headlamps

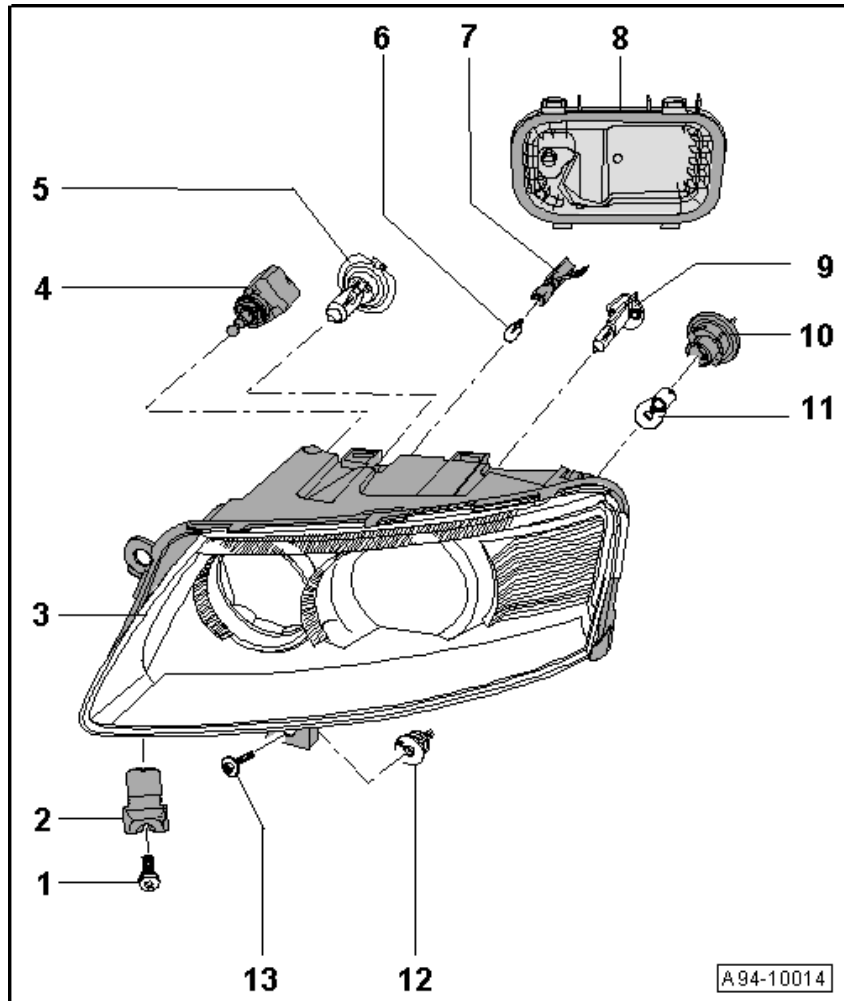
3 - Headlamp Housing

4 - Headlamp Range

Control Positioning
Motor

□ Left Headlamp Beam
Adjustment Motor -V48
-

□ Right Headlamp Beam
Adjustment Motor -V49
-



Audi A6 / S6

Component Locations

No. 866 / 9

HID Headlamps**1 - Headlamp housing**

- The LED Parking Lamp/DRL Modules -
- ◆ Left LED Parking Lamp/DRL Module - L176- / Right LED Parking Lamp/DRL Module -L177-
- ◆ Left Headlamp Reflector Adjustment Solenoid -N395- /Right Headlamp Reflector Adjustment Solenoid - N396-
- ◆ Left Swivel Module Position Sensor -G474 - / Right Swivel Module Position Sensor -G475 -
- ◆ Left Dynamic Cornering Light Motor - V318- / Right Dynamic Cornering Light Motor - V319-

3 - Headlamp Power Output Stages

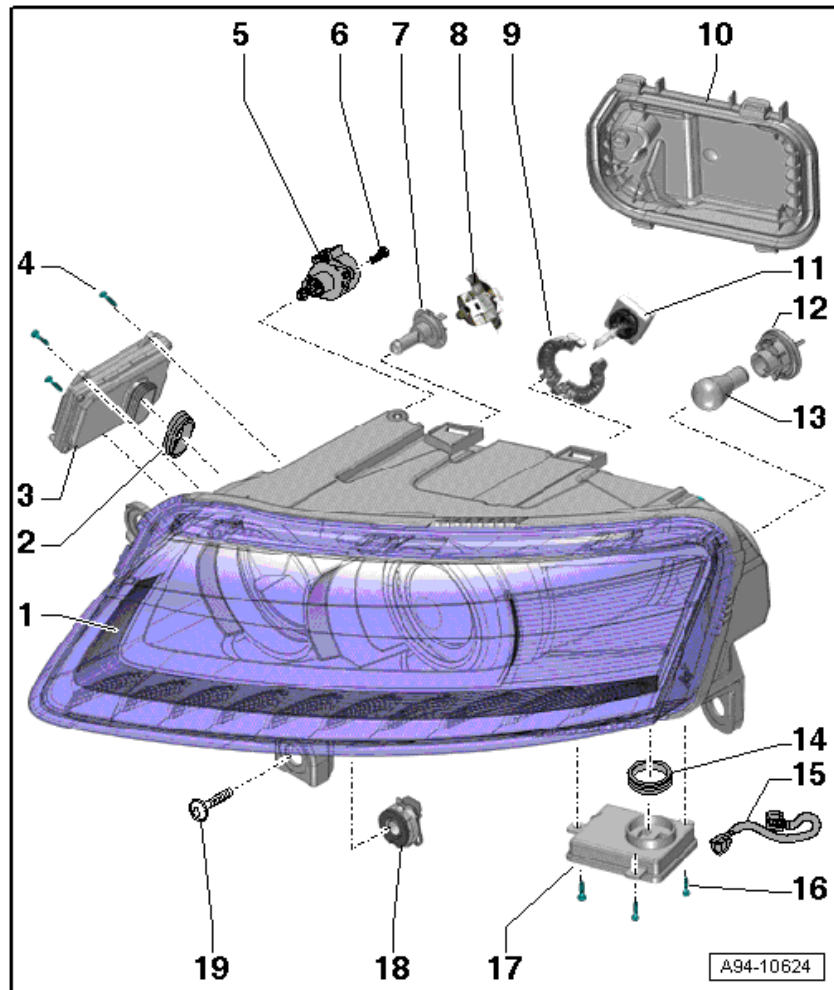
- Vehicles with AFS only
- Left Headlamp Power Output Stage -J667-
- Right Headlamp Power Output Stage -J668-

5 - Headlamp Range Control Positioning Motor

- Left Headlamp Beam Adjustment Motor -V48-
- Right Headlamp Beam Adjustment Motor -V49-

17 - HID Headlamp Control Module

- Left High-intensity Gas Discharge Lamp Control Module -J343-
- Right High-intensity Gas Discharge Lamp Control Module -J344-



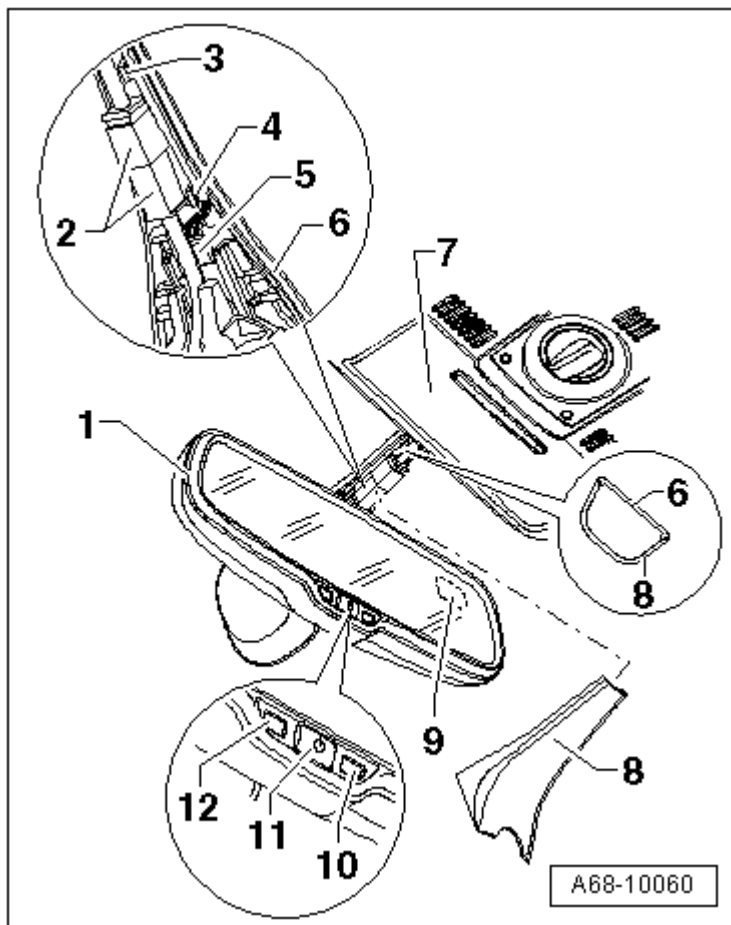
Audi A6 / S6

Component Locations

No. 866 / 10

Rain/Light Recognition Sensor

- 1 - Interior Rearview Mirror
- 5 - Rain/Light Recognition Sensor - G397- connector → Fig.



Audi A6 / S6

Component Locations

No. 866 / 11

Rain/Light Recognition Sensor

- 1 - Retaining plate
- 2 - Rain/Light Recognition Sensor - G397-
- 3 - Retaining spring

